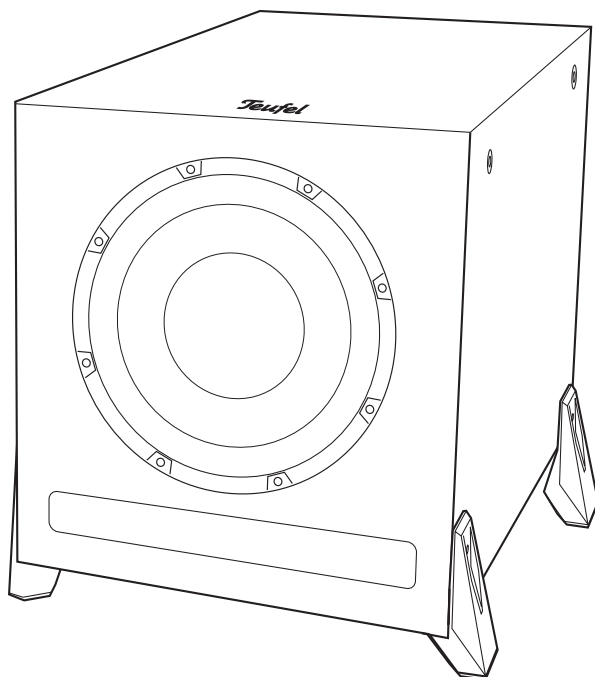


Technical Description and User Manual



**Subwoofer T 1108/1 SW
T 1110/1 SW**



You can find an extensive user
manual online at [http://manual.
teufelaudio.com](http://manual.teufelaudio.com)

Teufel

Contents

General Notes and Information	2	Use and Settings	11
Unpacking.....	7	Troubleshooting.....	14
Assembly and Setup.....	9	Technical Data	15
Connecting.....	10	Declaration of Conformity	16

General Notes and Information

Notice

The information in this document may change without prior notice and in no way constitutes any liability on the part of Lautsprecher Teufel GmbH.

No part of this user manual may be reproduced in any form or be broadcasted in any way electronically, mechanically, by photocopy or recording without the written permission of Lautsprecher Teufel GmbH.

© Lautsprecher Teufel GmbH

Version 1.0

December 2017

Original packaging

If you wish to exercise your eight-week right of return, we ask that you be absolutely sure to hold onto the packaging. We can only accept the return of the speakers WITH THE ORIGINAL PACKAGING.

Empty boxes are not available!

Complaints

In case of a complaint we will need the following information to process your enquiry:

1. Invoice number

Can be found on the sales slip (enclosed with the product) or on the order confirmation received as a PDF document, e.g. 4322543

2. Serial number or batch number

Located on the back side of the device, e.g. serial no.: KB20240129A-123.

Thank you for your support!

Contact

Please contact our customer service department with any questions, suggestions, or complaints:

Lautsprecher Teufel GmbH

BIKINI Berlin

Budapester Straße 44

10787 Berlin (Germany)

Telephone:

Denmark	+4589886335
Finland	+358753263952
Norway	+4781503272
The Netherlands	+31208083195
Sweden	+46108885284
United Kingdom	+443308080489
The rest of Europe	+800 200 300 40

Online support:

www.teufelaudio.com/service

Contact form:

www.teufelaudio.com/contact

Proper use

The active subwoofer is designed for the playback of low audio signals from an external player.

Only use the subwoofer as described in this user manual. Any other use will be deemed as not in accordance

with the instructions and may lead to damage of property or even persons.

The manufacturer accepts no liability for damage caused by improper use.

The subwoofer is intended for private use.



Before operating the product for the first time, please read the safety notes and operating instructions carefully. Only in this way, can you ensure that all functions are used in a safe and reliable manner. Keep the enclosed documents in a safe place and also be sure to pass it on to any subsequent owner.

Safety notes

This chapter contains general safety notes which you should always observe to protect yourself and third parties. Also observe the warning notes in each chapter of this user manual.

Touching live parts can result in severe injury or death.

- When connecting the device, make sure that the correct voltage is present. You can find more information about this on the rating plate.
- Check the device regularly for damage.

Immediately disconnect the mains plug and do not operate the device if its housing or mains cord is defective or exhibits other visible damages.

- If the mains cord of the device is damaged, only have it replaced by the manufacturer, its customer service department or a person with similar qualifications.
- This device can only be completely disconnected from the grid by pulling the mains plug. Thus, make sure that the mains plug is always easily accessible.
- If the device emits smoke, smells burnt or produces unusual sounds, immediately disconnect it from the mains and do not operate it further.
- Never open the device housing.

Repairs may only be carried out by an authorised specialist workshop. Only parts that match the original specifications may be used.

- Only use the accessory products specified by the manufacturer.
- Only use the device indoors.
- Do not operate the device in wet rooms and protect it from dripping and splashing water. Make sure that no vases or other liquid-filled objects are located on or near the device in order to prevent liquid from penetrating the housing. If water or any foreign objects have entered the housing, immediately disconnect the mains plug and send the device to our service address.
- Never modify the device. Unauthorised modifications may affect the safety and functionality.
- Never touch the mains plug with wet hands.

An unsuitable setup location may result in injury and damage.

- If the subwoofer is not securely mounted, do not use it in vehicles, in unstable locations, on wobbly tripods or furniture, on underdimensioned brackets etc. The subwoofer may tip or fall over and cause injury to persons or be damaged itself.
- Place the subwoofer in such a way that it cannot be knocked over inadvertently and make sure that the cables do not pose a tripping hazard.

- Do not place the subwoofer near heat sources (e.g. heaters, ovens, other heat generating equipment such as amplifiers etc.).
- Do not use the device in environments where there is a risk of explosion.
- Only use the wireless function in locations where wireless radio transmission is allowed.

An unstable base may cause the unit to tip and injure or even kill persons, children are particularly at risk. You can prevent a large number of accidents by taking the following precautions:

- Only place the subwoofer on the floor.
- If you want to use underframes or speaker stands, only use those recommended by the manufacturer.
- When storing the product, also ensure that it stands safely and that it cannot be knocked down or over.

Children can become trapped in the plastic wrapping when playing and suffocate.

- Do not allow children to play with the device or the plastic wrapping. There is a danger of suffocation.
- Ensure that children do not remove small parts from the device or take them off of the device (e.g. control knobs or plug adapters). They could swallow the parts and choke.

- Never allow children to operate electrical equipment unsupervised.

Extended listening at high volumes may lead to hearing loss.

To avoid damage to health, avoid extended listening at high volumes.

- When the volume is set high, always keep a certain distance from the device and never place your ear directly on the speaker.
- If a speaker is set to full volume, this may produce very high sound pressure. This may have psychological consequences and also cause physical injury. Children and pets are particularly at risk. Set your signal source device volume control to a low setting before turning on the power.



This product contains magnetic material.

- If necessary, consult your physician and ask for effects on implants such as pacemakers or defibrillators.

The isolation pads can produce discolouration on sensitive surfaces.

- On parquet, varnished wood and similar surfaces, you should stick felt gliders to the rubber feet of the subwoofer or put blankets or small carpets under them. This will prevent discolouration of the floor over the long term.

Explanation of symbols

	Protection class II Dual insulation
	Risk of electrical shock – do not open the housing. Disconnect the mains cord before changing a fuse.



Old devices must not be disposed of with household waste!

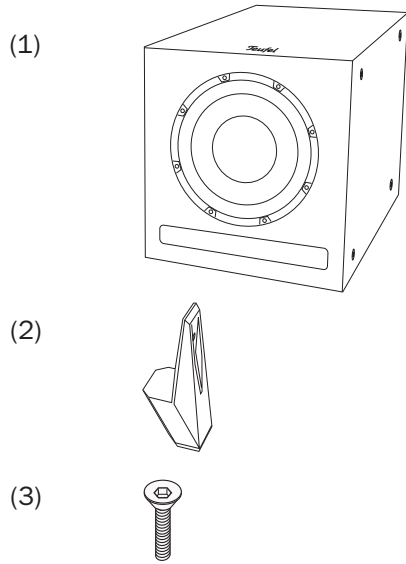
If the device is no longer operational, every consumer is required by law to dispose of old devices separately from household waste, e.g. at a collection point run by the communal authority/borough. This ensures that old devices are recycled in a professional manner and also rules out negative consequences for the environment.

For this reason, electrical equipment is marked with the adjacent symbol.

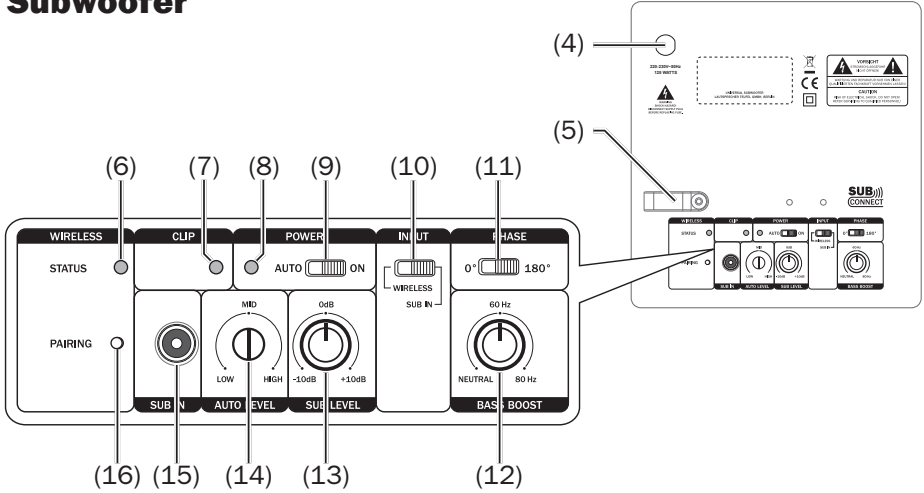
Unpacking

Package contents

- (1) Subwoofer
 - (2) 4 × support feet for subwoofer
 - (3) 4 × screws for the support feet
- Check that all items have been delivered and that nothing is damaged. If you find any damage, do not operate the device; instead contact our customer service department (see back side).
 - Please keep the packaging for the duration of the warranty period.



Subwoofer



- (4) Mains cord
- (5) Holder for the mains cord
- (6) STATUS: LED illuminates continuously with the wireless connection. Blinks slowly if there is no connection to the external player. Blinks quickly in pairing mode.
- (7) CLIP: Overload indicator. If the LED lights up, immediately reduce the volume.
- (8) POWER: LED illuminates in green when the subwoofer is switched on and red in standby.
- (9) POWER: Automatic activation/deactivation or permanent activation.
- (10) INPUT: Select the input of the subwoofer (wireless or via SUB IN).
- (11) PHASE: Shifts the subwoofer phase by 180°. Can lead to improved sound.
- (12) BASS BOOST: Adjust the sound of the subwoofer.
- (13) SUB LEVEL: Increase/decrease the subwoofer volume.
- (14) AUTO LEVEL: Sensitivity control for the automatic activation/deactivation function.
- (15) SUB IN: RCA input for connecting to the external player with a cable.
- (16) PAIRING: Create a wireless connection to the external player (siehe Kapitel „Establishing a wireless connection“ auf Seite 11).

Assembly and Setup

To the extent possible, you should set up the subwoofer in front of your sitting area close to the front speakers. Generally, you can also set it up at any other location in the room as the human ear is unable to localise low tones.

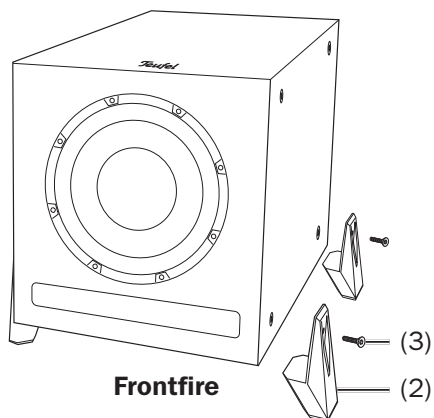
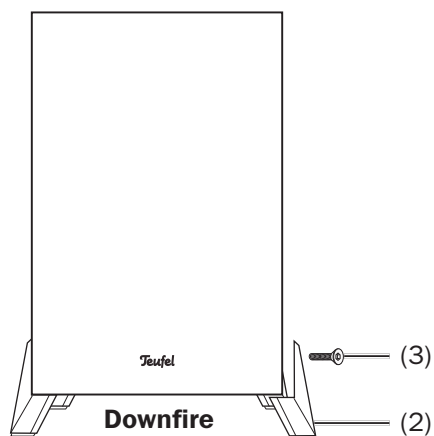
You can operate the subwoofer as downfiring (membrane facing down) or frontfiring (membrane facing forward).

- **Downfire:** The subwoofer projects the sound waves directly towards the ground. The sound waves are directly reflected and thus produce a uniform signal in the entire room. The subwoofer can also be set up close to the wall or directly next to or under other furniture.
- **Frontfire:** The subwoofer projects the sound waves to the front. The bass reaches your ear via the shortest path so it is particularly precise and crisp. The subwoofer requires free space in front of the membrane and should not be close to the wall. Otherwise, this may produce uncontrollable frequency rises.

You can find more information in the Teufel blog at <https://blog.teufel-audio.com/front-and-down-firing-subwoofers/>

- Use one screw (3) to screw each support foot (2) onto the subwoofer according to the graphics.

- The connectors should be pointing down in frontfire operation.



Connecting

Audio connection

You can connect the subwoofer to your receiver with the SUB IN jack (15) using an RCA cable or connect wirelessly.

You can set the audio input of the subwoofer using the “INPUT” switch (10):

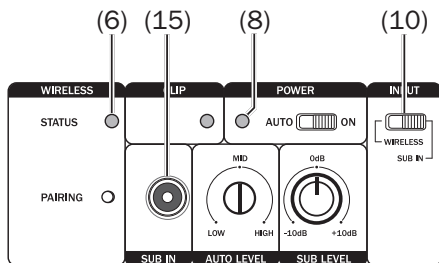
- “SUB IN” – If you have connected the subwoofer to the subwoofer output on your AV receiver.
- “WIRELESS” – If your AV receiver supports the wireless connection with the subwoofer (you can find a list of compatible devices at <https://www.teufel.de/was-passt-wozu.html>) or if you use the subconnect transmitter.

In case of connection via SUB IN

Use a mono RCA cable (not included in the package contents) to connect the SUB IN jack (15) to the AV receiver’s subwoofer output.

Mains connection

1. Insert the plug of the mains cord (4) in a mains socket (220–240 V~/50 Hz). The POWER-LED (8) will illuminate in green and the STATUS LED (6) will blink in blue for approx. 60 seconds.



You can find further tips and infos here: <https://www.teufelaudio.com/service.html>

Use and Settings

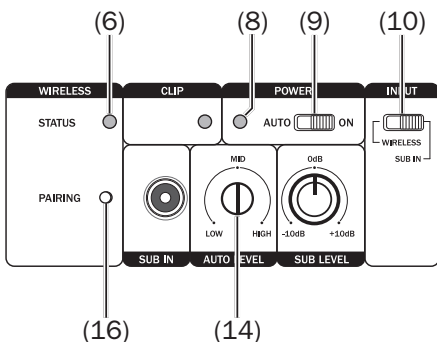
Automatic activation/deactivation

- You can switch the mode with the POWER switch (9):

ON The subwoofer is permanently switched on.

AUTO The subwoofer switches itself on as soon as an audio signal is present. If there's no audio signal for approx. 20 minutes, the subwoofer switches to standby.

- If the auto-function doesn't switch correctly, you can use the AUTO LEVEL control (14) to increase the sensitivity (turn to the right) or to decrease it (turn to the left). You will need a small screwdriver to do this.



Establishing a wireless connection

If your receiver is compatible, establish the cordless connection to the subwoofer like this:

1. If applicable, slide the INPUT switch (10) to the "WIRELESS" position.
2. Switch your subwoofer and your wireless-compatible receiver or also the subconnect transmitter on.

The STATUS LED (6) will blink and the devices will now automatically connect. An existing connection is indicated by the continuously illuminated STATUS LED (6).

Proceed as follows to connect for the first time or if the devices do not connect automatically or the connection is interrupted:

1. Hold down the PAIRING button (16) until the STATUS LED (6) blinks quickly.
2. Then perform the corresponding steps on your receiver to establish the connection (for this, refer to the user manual for your receiver).

Adjusting the volume

- Use the SUB LEVEL control (13) to adjust the volume of the subwoofer.

If the CLIP LED (7) lights up, the input signal is too high. In this

case, reduce the subwoofer level on your receiver.

Configuring the sound pattern

- With the BASS BOOST control (12), set the low tone sound characteristics: from maximum depth up to enhanced kickbass.

Adjusting the receiver and subwoofer

Most receivers have a menu with settings for the speakers (called “Speaker Setup” or similar). By following our recommendations below, you can perfectly align the receiver and the subwoofer:

Receiver settings

If possible, use your receiver’s calibration function so that it automatically adjusts the levels, phase and run times to the room. If your receiver doesn’t provide an automatic calibra-

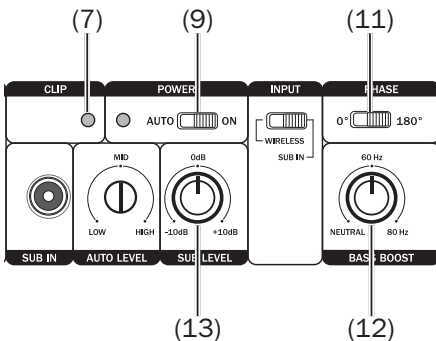
tion function, the following values are recommended:

- Subwoofer to “On”.
- Crossover frequency for subwoofer (cut-off frequency) to 80–150 Hz depending on the connected speaker system.

Subwoofer settings

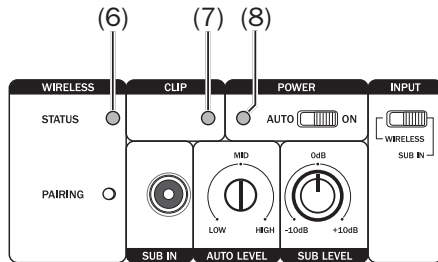
- POWER switch (9) to “AUTO”.
- SUB LEVEL control (13) and BASS BOOST control (12) to the intermediate position.
- PHASE switch (11) to “0°”.

1. Perform an audio test now and adjust the “SUB LEVEL” control (13) until the subwoofer can be “easily heard”. However, it must not drone.
2. If any deep “hits” are too hard or too soft, adjust the setting of the BASS BOOST control (12) and/or the PHASE switch (11).
3. Repeat these steps with different video and audio media.



LED indicators

LED	Display	Meaning
STATUS (6)	Illuminates in blue	Wireless connection to the receiver established.
	Blinks slowly in blue	Device is attempting to establish a wireless connection to a known receiver.
	Blinks quickly in blue	The device is in pairing mode and is searching for a receiver ready for pairing.
CLIP (7)	Flashes in red	Input is overamplified, signal level too high!
POWER (8)	Illuminates in green	Device is switched on.
	Illuminated in red	Device is in standby.



Troubleshooting

The following advice should help you to solve problems. If this does not work, our online manual will provide help:

<https://manual.teufelaudio.com>

Problem	Possible cause/solution
The POWER LED (8) of the subwoofer does not illuminate.	Make sure that power is supplied. Check to make sure that the mains cord is securely seated.
The subwoofer does not automatically turn off.	Set the POWER switch (9) to "AUTO".
If operated via a cable connection: Playback is noisy.	The audio cable between the AV receiver and subwoofer is too long and/or the shielding is not sufficient. If possible, use a short, well shielded RCA cable or use the wireless connection.
For a wireless connection: The transmission is disrupted.	Other wireless signal sources (cordless telephones, Wi-Fi stations or microwaves) affect the connection. Move the devices causing the disturbance.

Technical Data

Subwoofer T 1108/1 SW

Operating voltage	220–240 V~ / 50 Hz
Power consumption max.	125 W
Dimensions with support feet	
(W × H × D) “Downfire”	311 × 423 × 330 mm
(W × H × D) “Frontfire”	311 × 373 × 380 mm
Weight	11.5 kg

Subwoofer T 1110/1 SW

Operating voltage	220–240 V~ / 50 Hz
Power consumption max.	200 W
Dimensions with support feet	
(W × H × D) “Downfire”	351 × 483 × 380 mm
(W × H × D) “Frontfire”	351 × 423 × 440 mm
Weight	15.6 kg

The following radio frequency bands and radio transmitting powers are used in this product:

Radio network	Frequency band in MHz	Max. transmission power in mW/dBm
Avnera	2405.35-2477.35	1/0

You can find further technical data about the product on our website.

Declaration of Conformity

CE Lautsprecher Teufel GmbH hereby declares that this product complies with the requirements of the directives 2014/30/EU, 2014/35/EU and 2014/53/EU to the extent they are installed and used in accordance with the instructions of the manufacturer. The full text of the EU declaration of conformity is available at the following Internet address:

www.teufelaudio.com/declaration-of-conformity.html

Teufel

Please contact our customer service department with any questions, suggestions, or complaints:

Lautsprecher Teufel GmbH
BIKINI Berlin
Budapester Str. 44
10787 Berlin (Germany)

Phone:

Denmark	+4589886335
Finland	+358753263952
Norway	+4781503272
The Netherlands	+31208083195
Sweden	+46108885284
United Kingdom	+443308080489
The rest of Europe	+800 200 300 40

Online support: www.teufelaudio.com/service

Contact form: www.teufelaudio.com/contact

No responsibility is assumed for the correctness of this information.
Technical changes, typographical errors and other errors reserved.